

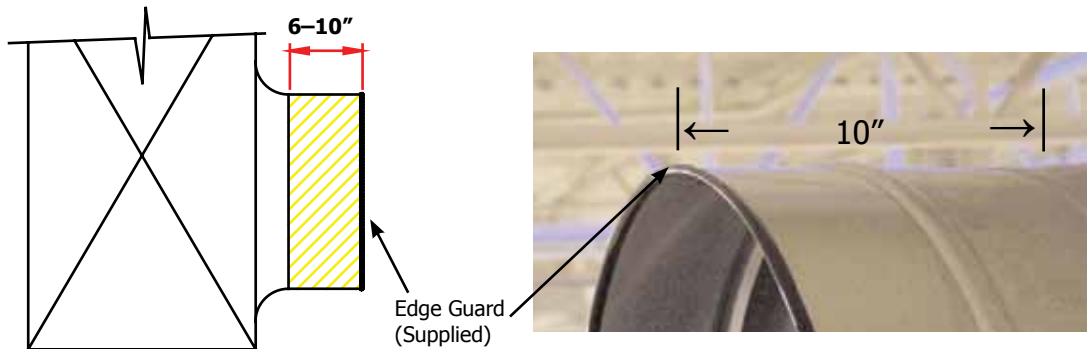
Thank you for selecting a DuctSox fabric air dispersion system. This Guide should be helpful for installing all DuctSox systems manufactured for a suspended H-Track Suspension System.

Sections of DuctSox will be labeled, assembled, bagged, and boxed for shipping. More complicated systems will include a CAD detail of the system identifying which DuctSox components are in each package. Depending on the size of a project or order, the DuctSox System will be shipped by common courier in “DuctSox” boxes. All orders including our H-Track, or larger DuctSox orders, will be shipped in crates by freight carrier.

Step

1 METAL OUTPUT COLLAR CONNECTION

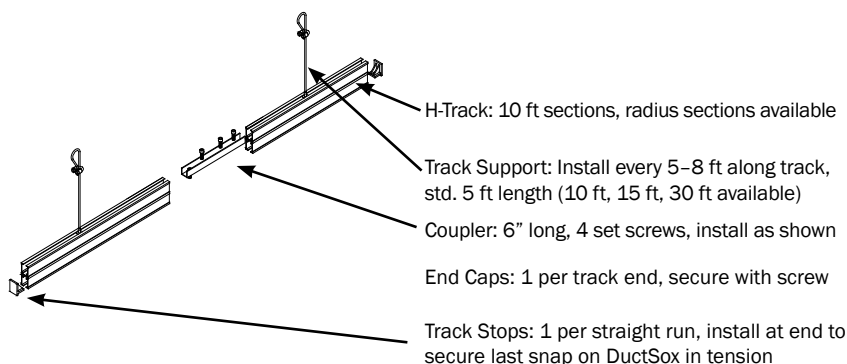
- DuctSox are manufactured 1/2” larger than specified to fit over metal duct.
- Collar length should be 6” – 10” for secure fabric attachment.
- Edge guard (provided) should be installed on the edge to reduce fabric wear.



Step

2 LOCATE CABLE ANCHORS/COMPONENTS

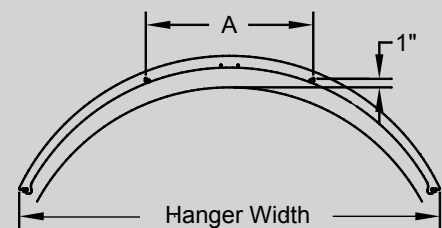
Suspended 4x2 H-Track System includes anodized aluminum track, powder coated hangers, and assembly and suspension components. Identify hanger size by using the Sizing Reference Table to the right. Gripple self locking wire rope grips help reduce installation time.



Accessories are available in 316 S/S for corrosive applications.

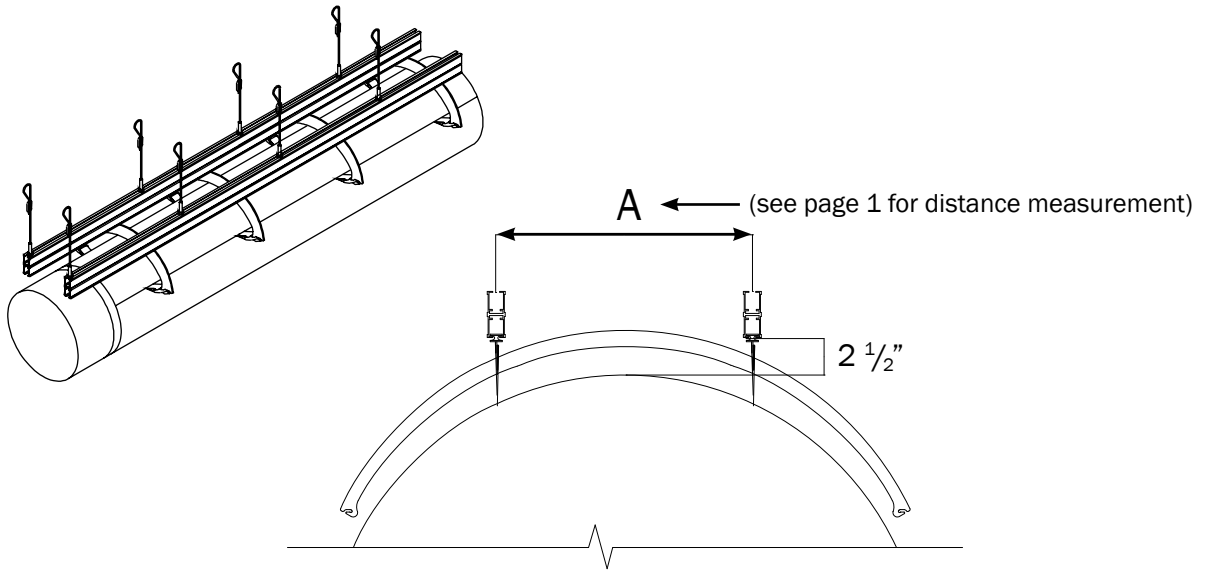
4x2 Sizing Reference Table

DuctSox Diameter	A (distance between each track)	Hanger Width
50" to 52"	19 5/8"	49 3/8"
54" to 56"	20 3/8"	52 7/8"
58" to 60"	21"	56 3/8"

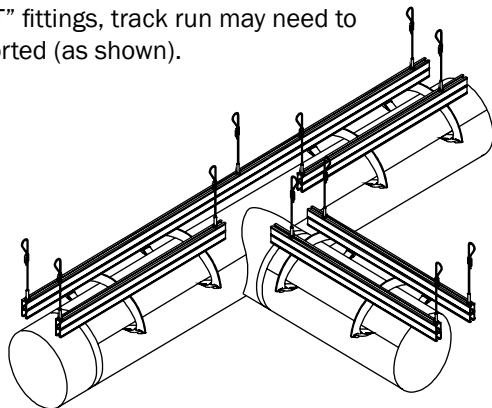


INSTALL TRACK & COMPONENTS

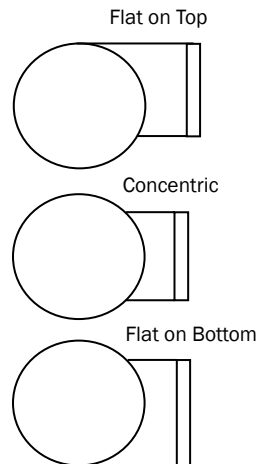
Identify H-Track location and install supports as required. Secure cable drops to track by tightening the double nut on the threaded drop support. Release gripper using supplied tool to ease elevation adjustments.



Support around fabric fittings may require additional track supports. For "T" fittings, track run may need to be cut out and supported (as shown).

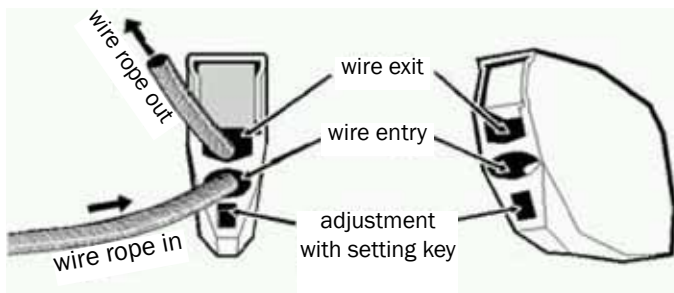


Note:
 DuctSox Tee fittings are available in Flat on Top, Concentric or Flat on Bottom. When determining track location, confirm fitting alignment to ensure proper track elevation.



Cable Track Supports provided include a locking stud end and gripper quick connect to ease installation.

Gripper Detail:

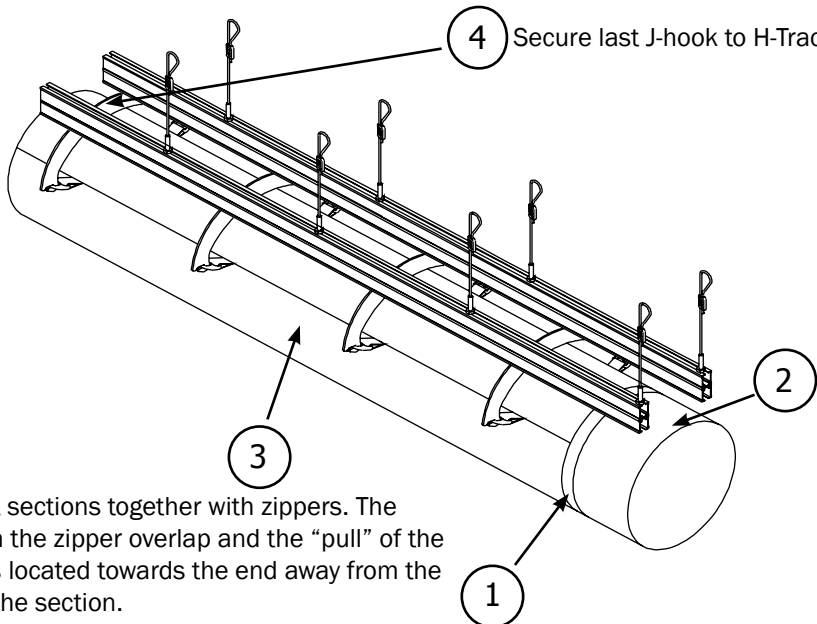


Step

3 DUCTSOX FABRIC INSTALLATION

- Do not install your DuctSox System until the building construction is complete and site is clean.
- Confirm centerline dimensions before unpacking and installing the DuctSox.
- During installation, use caution in all steps to keep the DuctSox clean.

Larger systems may be packaged separately. Each package will include a CAD detail revealing which sections are included in the package. Each piece includes a label on each zipper which includes diameter, length, and piece number of that particular section.



Connect sections together with zippers. The end with the zipper overlap and the “pull” of the zipper is located towards the end away from the inlet of the section.

Secure attachments to suspension system (inlet section first if not zipped together).

Slide DuctSox inlet over collar and position the zipper start/stop at TOP CENTER and tighten the DuctBelt.

Secure Anchors with standard screws (not provided) after start-up (to ensure proper inflated alignment).



Use the following illustration to connect the hanger to the H-track and to attach the fabric to the 4x2 Hanger.

J-Hook Connection	
	Insert J-hook into upper portion of hanger slot. (Insert J-hook upside down and spin up.)
	Insert hanger and J-hook into lower portion of H-track.

D-Clasp Connection	
	Locate D-Clasp on Fabric.
	Insert into slot on hanger end.
	Lock D-Clasp into end by rotating down.

Step

4 START UP

Turn on the AHU and inflate DuctSox System. Check all snaps and sections to ensure system is inflating properly. If required, move snaps to eliminate puckering at binding locations. If lengths do not fit properly, contact our factory to coordinate rework to ensure proper fit.

Once system is properly adjusted, deflate the system, pull the last snap in each straight section, and secure tension using track lock (which will reduce inflation “popping”). If the system includes elbows, secure the last snap before elbow(s).

Track locks are provided to secure snaps.



Step

5 AIR BALANCING

System must be balanced to design CFM and static pressure immediately after installation. Most DuctSox Systems include a zipper at the inlet location for easy access to monitor flow.

If the fabric is fluttering after balancing, please contact the factory immediately. Solutions to the fluttering include adjusting the Adjustable Flow Device (AFD), adding AFDs or other tasks that would result in laminar airflow.

LAUNDRY INSTRUCTIONS

Sedona-Xm, TufTex, Verona, DuraTex, Microbe-X, and Stat-X fabrics:

- Remove system and break down into sections
- Turn soiled side out, soak in cold water for 30 minutes
- Wash cold, gentle cycle
- Rinse thoroughly (repeat cycle if water/DuctSox still soiled)
- Drip dry or no heat tumble dry

PolyTex fabric (cannot launder)

- Remove DuctSox, spray clean with hose/water source

If any questions arise regarding the installation of your DuctSox System, please do not hesitate to consult your support team at (866) DuctSox (382-8769).

DUCTSOX®

Fabric Air Dispersion Products

9866 Kapp Court ■ Peosta, IA 52068
Ph: 866-382-8769 ■ Fax: 563-588-5330

www.ductsox.com